

# Video Templates

Author: Laurence D. Finston

Created: 23. April 2023

Last updated: 24. April 2023

This document is part of GNU 3DLDF, a package for three-dimensional drawing.

Copyright (C) 2023 The Free Software Foundation, Inc.

GNU 3DLDF is free software; you can redistribute it and/or modify it under the terms of the GNU General Public License as published by the Free Software Foundation; either version 3 of the License, or (at your option) any later version.

GNU 3DLDF is distributed in the hope that it will be useful, but WITHOUT ANY WARRANTY; without even the implied warranty of MERCHANTABILITY or FITNESS FOR A PARTICULAR PURPOSE. See the GNU General Public License for more details.

You should have received a copy of the GNU General Public License along with GNU 3DLDF; if not, write to the Free Software Foundation, Inc.,  
51 Franklin St, Fifth Floor, Boston, MA 02110-1301 USA

See the GNU Free Documentation License for the copying conditions that apply to this document.

You should have received a copy of the GNU Free Documentation License along with GNU 3DLDF; if not, write to the Free Software Foundation, Inc., 51 Franklin St, Fifth Floor, Boston, MA 02110-1301 USA

The mailing list [info-3dldf@gnu.org](mailto:info-3dldf@gnu.org) is for sending announcements to users. To subscribe to this mailing list, send an email with “subscribe (email-address)” as the subject.

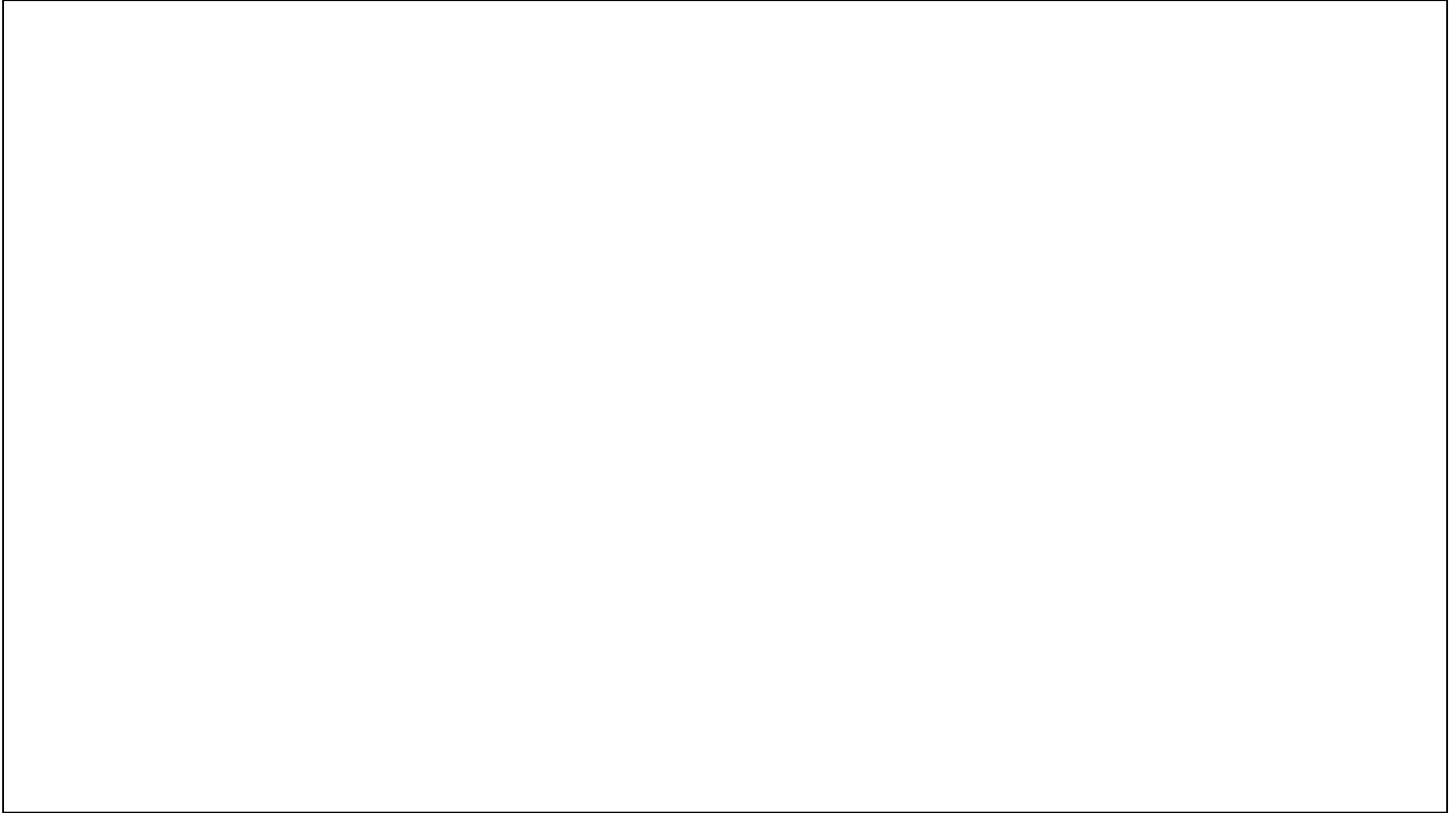
The webpages for GNU 3DLDF are here: <http://www.gnu.org/software/3dldf/LDF.html>

The author can be contacted at:

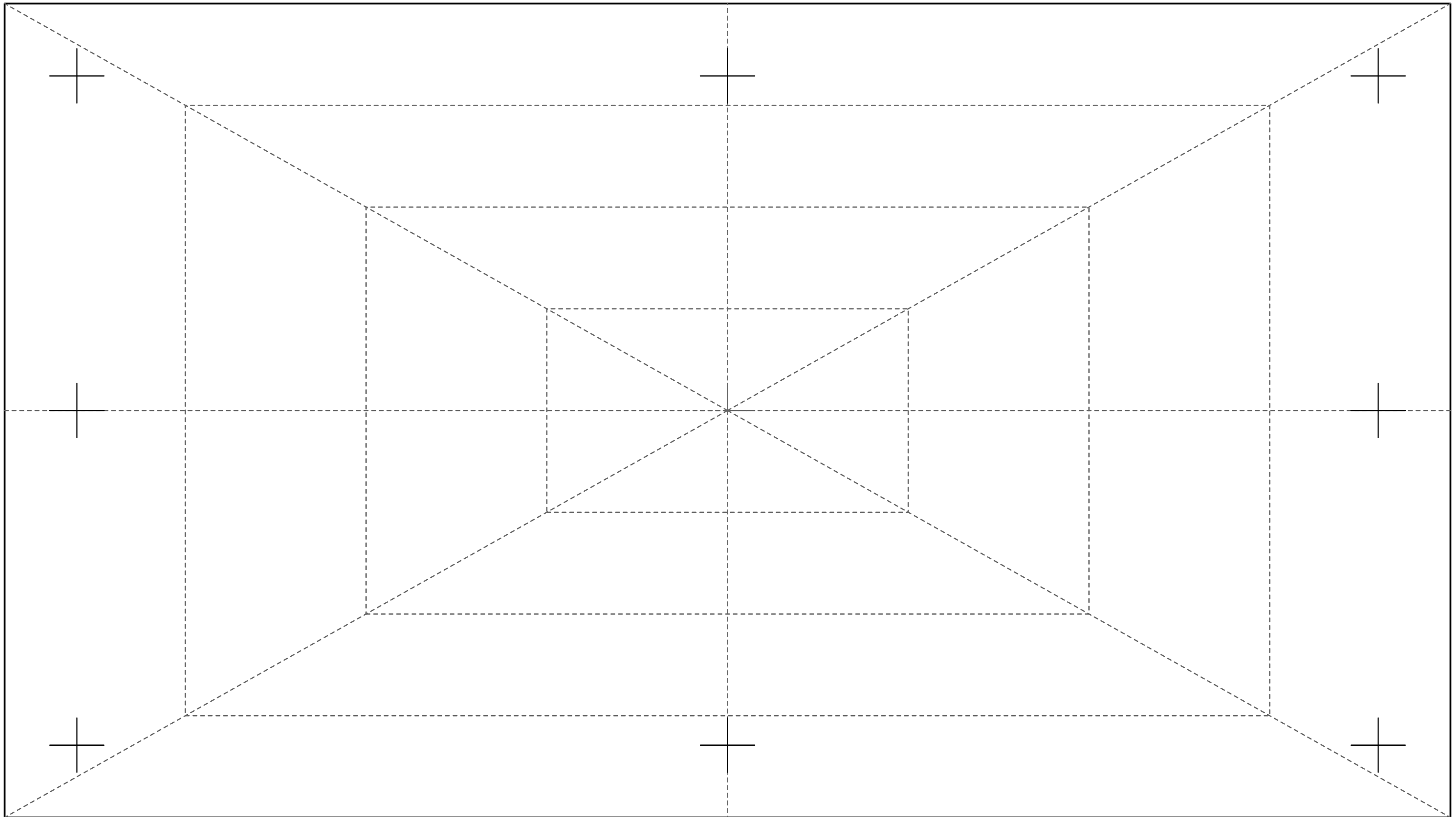
Laurence D. Finston  
c/o Free Software Foundation, Inc.  
51 Franklin St, Fifth Floor  
Boston, MA 02110-1301  
USA

[Laurence.Finston@gmx.de](mailto:Laurence.Finston@gmx.de)

Empty frame



Frame area divided into quarters



Frame area divided into thirds

